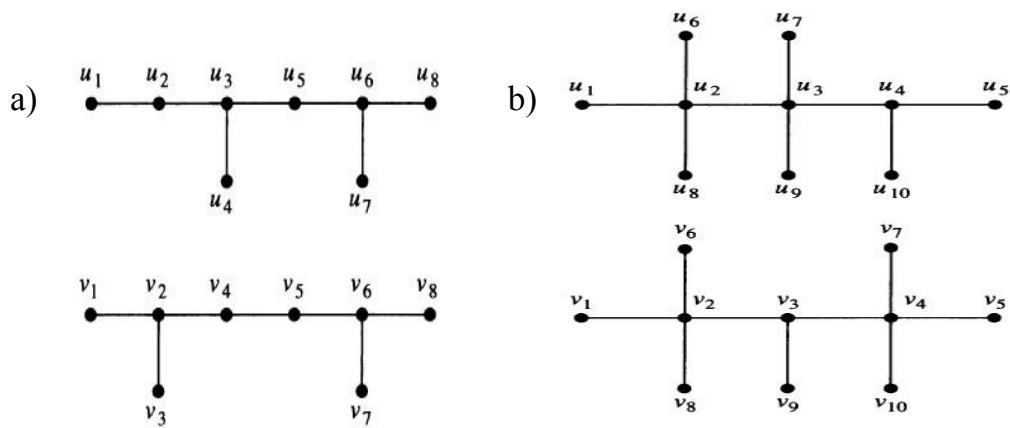


BBM 205 - Discrete Structures: Midterm Exam
Date: 1.2.2019, Time: 10:00 - 12:00

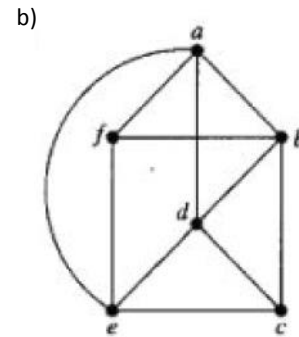
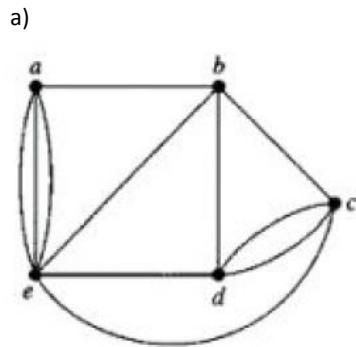
Name:
 Student ID:

Question:	1	2	3	4	5	6	7	8	9	Total
Points:	10	8	8	20	12	8	16	8	10	100
Score:										

1. (10 points) Determine if the two graphs in each part below are isomorphic. If they are, provide an isomorphism function. If not, explain why.



2. (8 points) Determine whether the given graph has an Eulerian tour. Construct such a circuit when one exists. If no Eulerian tour exists, determine whether the graph has an Eulerian walk and construct such a walk if one exists.



3. (8 points) Use **induction** to show that every tree on n vertices has $n - 1$ edges.

4. (a) (4 points) We have 9 balls, numbered 1 through 9, and 27 bins. How many different ways are there to distribute these 9 balls among the 27 bins? Assume the bins are distinguishable (e.g., numbered 1 through 27).
- (b) (4 points) We throw 9 identical balls into 7 bins. How many different ways are there to distribute these 9 balls among the 7 bins such that **no bin is empty**? Assume the bins are distinguishable (e.g., numbered 1 through 7).
- (c) (4 points) How many different ways are there to throw 9 identical balls into 27 bins? Assume the bins are distinguishable (e.g., numbered 1 through 27).
- (d) (4 points) Find the coefficient of x^4yz^7 in $(2x + y - 7z)^{12}$.
- (e) (4 points) Use **pigeonhole principle** to show that at least 10 of any 64 days chosen must fall on the same day of the week.

5. (12 points) Find all solutions of the recurrence relation $a_n = -5a_{n-1} - 6a_{n-2} + 42 \cdot 4^n$ with initial condition $a_1 = 56$ and $a_2 = 278$.

6. (a) (4 points) What is the probability that a positive integer not exceeding 100 selected at random is divisible by 3 **and** 5?

(b) (4 points) When we randomly select a permutation of $\{1, 2, \dots, n\}$, what is the probability that n precedes 1 and 1 precedes 2?

7. (a) (5 points) Find a recurrence relation for the number of ways to climb n stairs if the person climbing the stairs has very long legs and can take one stair, two stairs or three stairs at a time.
- (b) (5 points) What are the initial conditions?
- (c) (6 points) How many ways can this person climb a flight of six stairs? (Use the recursive relation in part (a) to answer this.)
8. Suppose that 4% of the patients tested in a clinic are infected with avian influenza. Also, suppose that when a blood test for avian influenza is given, 97% of the patients infected with avian influenza test positive and that 2% of the patients not infected with avian influenza test positive. What is the probability that
- (a) (4 points) a patient is infected with avian influenza?
- (b) (4 points) a patient testing positive for avian influenza with this test is **not** infected with it? (You do not need to finish and simplify the calculation.)

9. (10 points) Give a **combinatorial proof** to show that the equality below is true.

$$\sum_{k=1}^n k \binom{n}{k}^2 = n \binom{2n-1}{n-1}.$$