

Embedded Systems Lab

Week 2 - Intro

<https://web.cs.hacettepe.edu.tr/~bbm432/>

<https://piazza.com/hacettepe.edu.tr/spring2019/bbm432434>

Lab Sessions

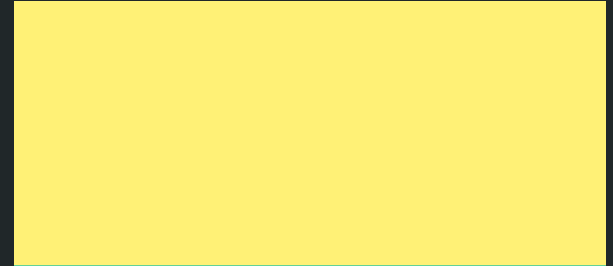
Fridays

Deadline for group formations:
Today (08/03/2009)

Section 1 

Section 2 

13:45



15:15



 ~ 90 min

Groups So Far

- Students who do not form groups by the end of the day will be assigned to a random group.
- **Random groups will get embarrassing names assigned by me.**



A word cloud of group names in various colors and orientations. The names include:

- Zor Soru (vertical, red)
- Catalyzer (diagonal, blue)
- 0% Risk (horizontal, black)
- Kendini marul sanan marul (horizontal, blue)
- gigadeth (horizontal, brown)
- Grup (horizontal, blue)
- Grup++ (horizontal, blue)
- BinaryTeam (horizontal, orange)
- R2D2 (horizontal, red)
- Avocado (horizontal, orange)
- Kazandibi (diagonal, red)




Obtain the
equipment

Details at <https://web.cs.hacettepe.edu.tr/~bbm432/>

How to prepare for the lab

1. Read the lab instructions carefully.
2. Do the assignment with your lab partner.
 - **Simulation**
 - **Real Board**
3. Write and submit a report before the deadline.
4. Prepare for the lab demo of your experiment during your lab session.



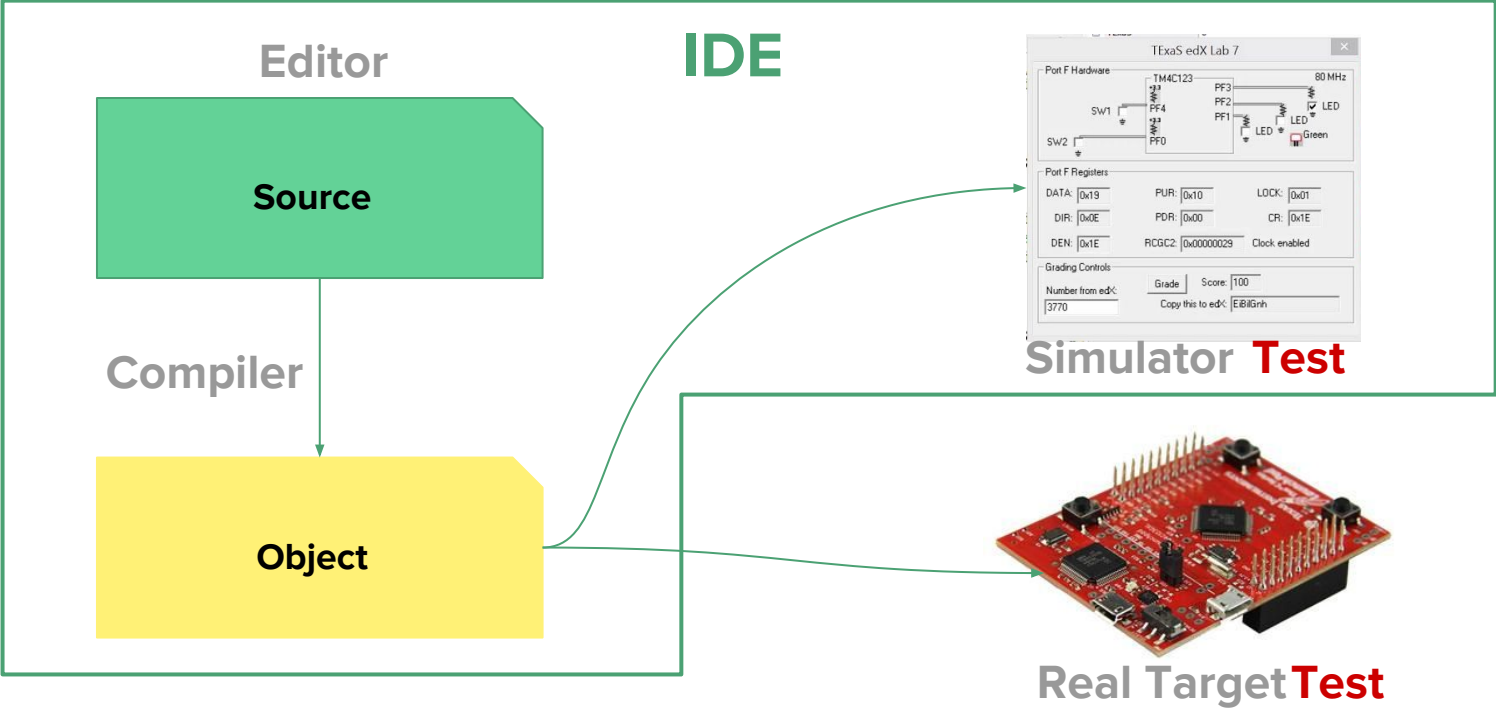
If you get stuck, ask for help on Piazza.

Involvement on Piazza

(or any other kind of helpful contribution to this course)

May earn you extra credit!

Development Process



Writing a Report

Cover Page: Group Name, Teammates' Names and IDs

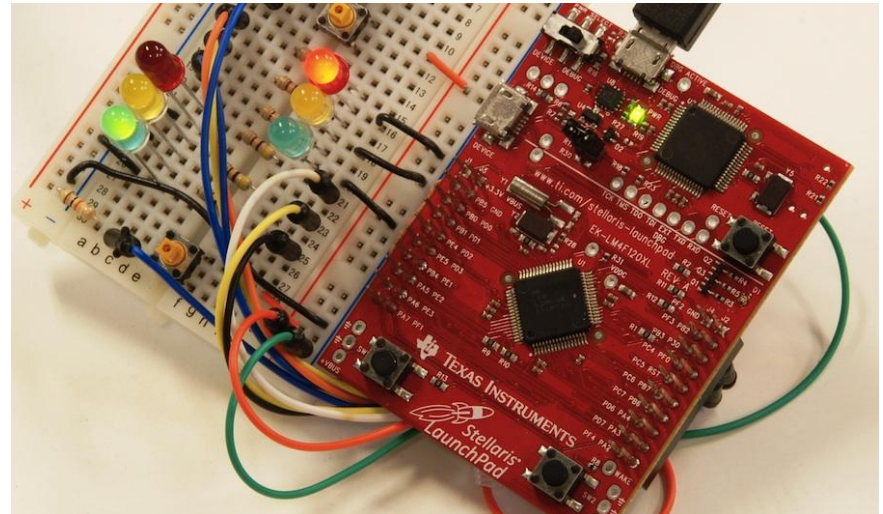
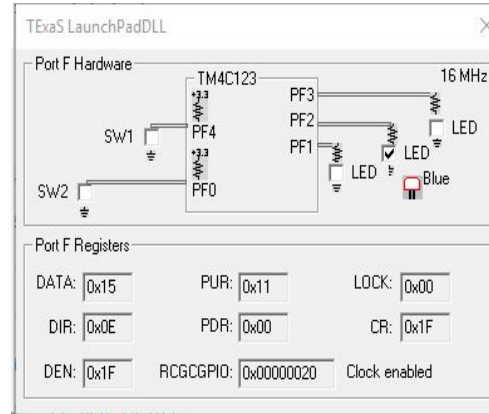
Show the experiment steps and answer the questions.

Brevity, clarity and report structure is important!

Lab Demo

You will demonstrate your lab experiment in person to the TA (both team members must be present).

1. **Simulation test in IDE**
2. **Real board test on your launchpad**



Lab Experiment Grading

Lab grade will include:

- Written report grade
- Lab performance grade

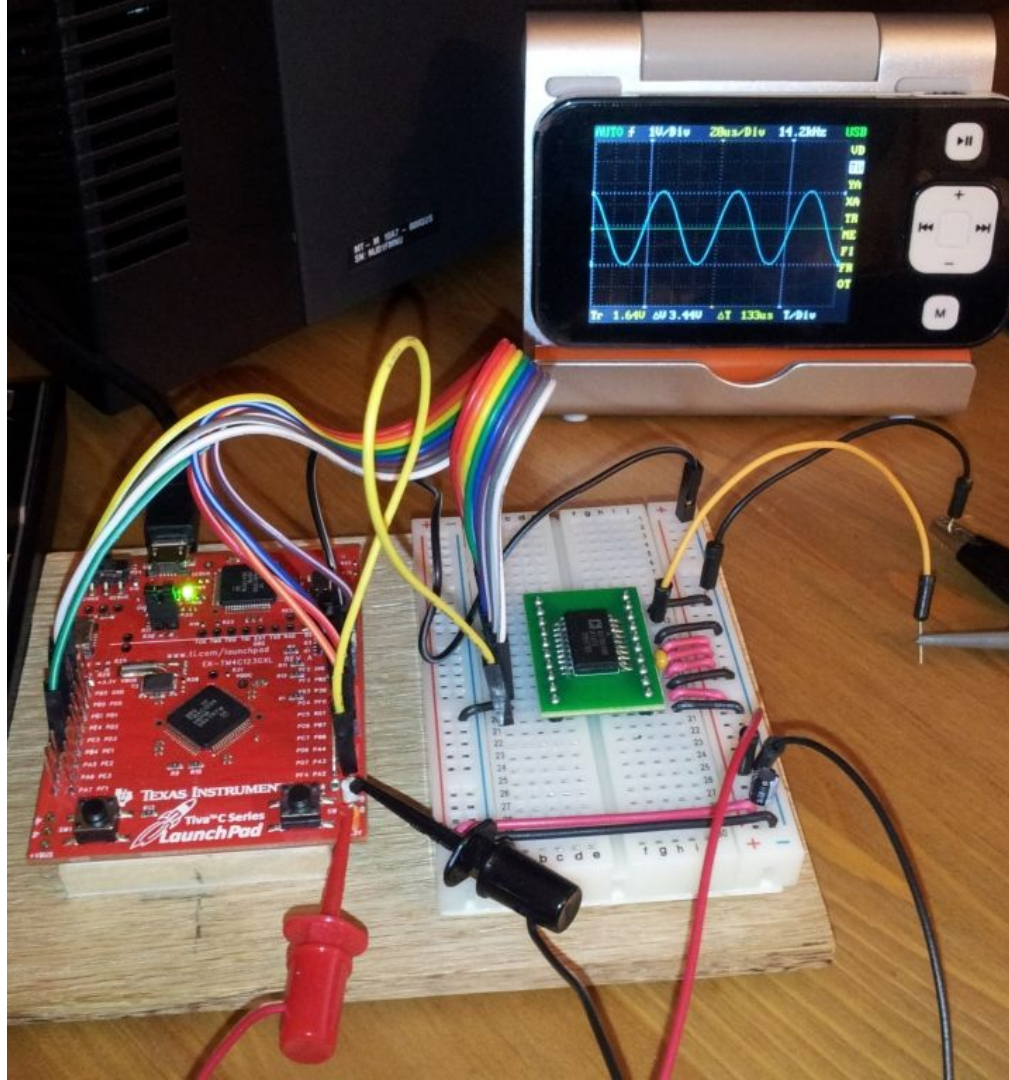
Percentages may vary (50%-50% for Lab 1).

Objectives of this course:

- Learn stuff
- Have fun

Projects

Start thinking about your project!



Questions?