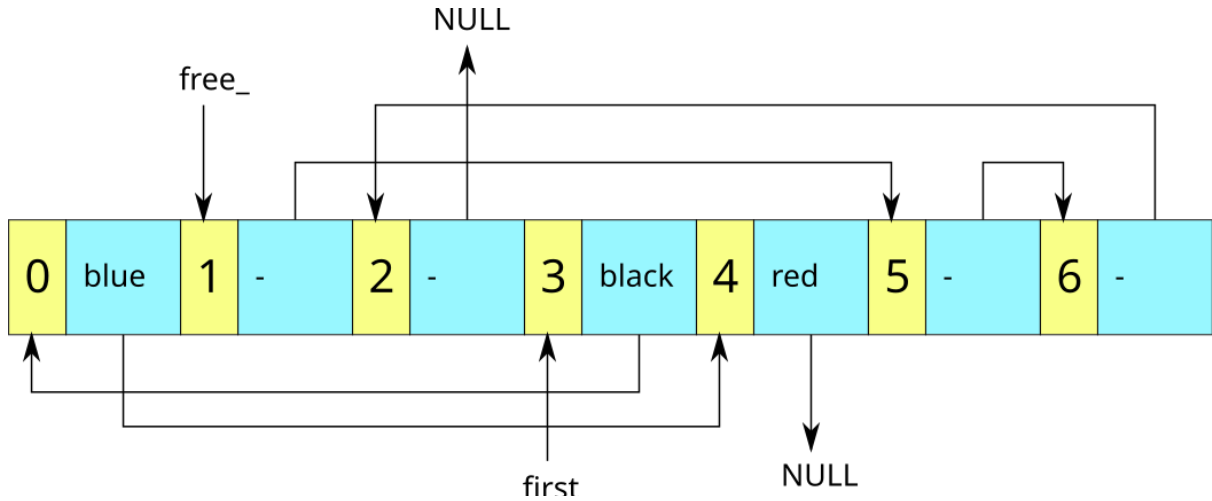


BBM 201 Data Structures
 QUIZ 6
 3 December, 2019

Question: Consider the following array based linked list at its current state:



Now, consider the following operations:

```
insert("green");
delete("blue");
```

On your quiz paper, draw the resulting structure after these operations.

Answer:

